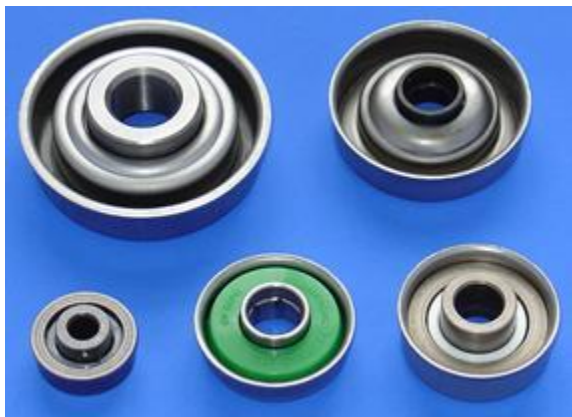
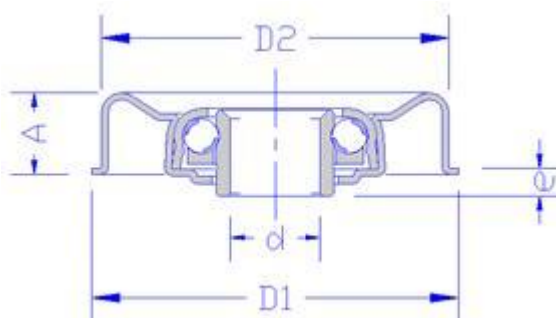


## Stainless Steel Flanged Roller End Bearings



For applications that require a more anti-corrosive roller, the following bearings are available.

A detailed breakdown of the types of stainless steel materials used is available on request, just click the link below the chart for your requirements.



Part Number	D1	D2	d dia	d hex	A	e	Tube Size	Dynamic Load (kgs)
GF35PCSS	36.95	35.20	10mm :12mm 7/16	11mm	10.00	3.50	1 1/2 x 16/18 SWG	28
3GF618SS	1.455"	1.390"	7/16	11mm	13.70	4.4	1 1/2 x 18 SWG	25
3GF618SS-316	1.455"	1.390"	-----	11mm	13.70	4.4	1 1/2 x 18 SWG	15
GF47SS	1.952"	1.860"	10mm :12mm 7/16	11mm	13.00	5.20	2 x 16 SWG	35
GFP57SS	2.385"	2.235"	5/8 : 3/4	11/16	13.50	8.50	1 1/2 x 18 SWG	60